

# SAFES

FOR YOUR EVERYDAY LIFE

PRODUCT CATALOGUE 2023



**Chubbsafes**  
*Trusted the world over.*



PLACE A SAFE  
WHERE YOU ARE  
RIGHT NOW!



Scan this QR code with  
your smartphone or visit  
[www.chubbsafes.com](http://www.chubbsafes.com)

# MAKE SECURITY A VIRTUAL PART OF YOUR EVERYDAY LIFE

Try out the new AR functionality at [www.chubbsafes.com](http://www.chubbsafes.com)  
and place a safe where you are standing right now!

All you need is a smartphone – no app needs to be installed.  
Visit [www.chubbsafes.com](http://www.chubbsafes.com), select a safe and take the first  
step towards making security a part of your everyday life.



Trusted the world over, Chubb safes is the oldest brand for safes, vaults and vault doors in the world. Chubb safes solutions are well known and appreciated for their unique combination of robustness, reliability and modern designs.

Having provided high-quality protection solutions for almost two centuries, Chubb safes combines experience with innovation to create trustworthy products for maximum protection against burglary, fire and explosives.

The Chubb safes solutions are rigorously tested by international and independent accreditation bodies to guarantee the best protection available.

The Chubb safes brand is used by Gunnebo under license.

**Chubb safes**  
*Trusted the world over.*



# T2

## SECURITY UPGRADE

Shown here is the TriForce T2 which has undergone explosion testing (EX).

### BURGLARY RESISTANCE SECURITY UPGRADE

The EN standard used in certifying safes and cabinets with a high level of burglary resistance has been recently updated to accommodate advanced tooling. These new tools are now listed in the standard under the “T2” tool list.

This means more sophisticated and powerful tools like a new generation of circular saws and thermal lances are used in independent burglary tests to prove our products’ ability to resist them. This upgrade guarantees the highest current performance in physical security.

**Chubb safes is one of the first brands in the physical security industry to launch T2-certified safes. Learn more about the T2 security upgrade on our website [www.chubbsafes.com](http://www.chubbsafes.com).**

# CONTENTS

FINDING YOUR SAFE	7
TEST STANDARDS	8
PRODUCT OVERVIEW	10
LOCKING OPTIONS	11
PRODUCTS	
OPTIONAL FITTINGS	45

Consul	12
Senator	13
DuoGuard GI	14
DuoGuard GII	15
ProGuard	16
DuoForce	17
DuoForce T2	18
Europa	19
TriForce T2	20
Sigma Deposit	21
Omega Deposit	22
Rhino Mk II DT	23
ProGuard DT	24
Europa Deposit	25
Executive	26
DPC	27
6000 Series Files	28
Fire File 25"	29
Fire File 31"	30
Lateral Fire File	31
Binder Fire File	32
Ultra Fire file 31"	33
DataGuard NT	34
DataPlus	35
Air Hotel	36
Air	37
AlphaPlus	38
HomeStar	39
HomeSafe S2 30P	40
Rhino Mk II	41
Mini Banker Mk II	42
Archive Cabinet	43
ForceGuard	44

## ICONS EXPLAINED



Burglary



Fire  
paper doc.



Fire  
data media



Explosives

CERTIFIED BY DEKRA

# ISO-CERTIFIED PRODUCTION SITES

We list sustainability very highly on our agenda; setting high standards for our products, our employee working conditions and for the environment in which we live.

The Chubb safes products that are manufactured in our production sites are created under the most stringent production processes following the principles of the latest quality, health and safety and environmental management systems, and demonstrate our clear commitment to sustainability.



All Gunnebo Safe Storage production sites are certified according to ISO 14001 Environmental Management System, ISO 9001 Quality Management System and ISO 45001/OHSAS 18001 Occupational Health & Safety System.

# WHICH **SAFE** IS RIGHT FOR YOU?

The most important initial question is what you want to protect – cash and valuables, documents or data media?

## CASH AND VALUABLES

Choose from the burglary protection range. This includes safes, cabinets, vaults & vault doors, designed to withstand physical attacks in different strengths or Grades. Each Grade represents a particular “cash rating” which is the amount an insurer will cover. The actual amount of cover can vary between insurance companies and country, and may be different to the manufacturer’s recommended rating. You should always check what cover your insurance company is prepared to offer.

## DOCUMENTS AND DATA MEDIA

Choose from the fire protection range which includes safes and filing cabinets designed to keep documents or data media safe from the effects of a fire.

### DOCUMENTS

To survive a fire, documents require protection from temperatures higher than 170°C. Therefore cabinets have to be specifically designed, tested and then certified for this task. Without a credible certification, you cannot be sure that your documents are safe.

### DATA MEDIA

The same is valid for data media, except here the cabinet must offer much greater protection due to the sensitivity of the material. If the inside of the cabinet exceeds a mere 50°C, then the information on a CD, DVD or tape will be destroyed.



# CERTIFIED STRENGTH

To provide the appropriate level of protection, the products are tested to comply with the latest industry standards. The various certification tests carried out in independent laboratories for burglary or fire protection are conducted by experienced operators armed with plans of the product and a whole range of tools.

**FOR BURGLARY PROTECTION**, safes and vaults are awarded grades:

- For security cabinets, there are Grades S1 and S2 (EN 14450).
- For safes, vaults and vault doors, they are rated from Grade 0 to Grade XIII (EN 1143-1).
- High security locks are graded according to EN 1300 in security levels A, B, C and D, the highest.

During the certification process, door panels of the products, bolt works, locks and handles are tested. The certification tests include an attack program that is devised so that various break-in attempts can be made using a selection of tools. A correlation between tool type and the time for which each one is used can be used to obtain a resistance score (resistance unit). The higher the score, the higher the level of resistance. Based on the results obtained, the safe is given a classification and then listed in a resistance grade.

**FOR FIRE PROTECTION**, these standards vary according to whether you want to protect paper documents, digital media or other highly sensitive objects. This is because the temperature at which data media (e.g. 50°C) and documents (e.g. 170°C) deteriorate differs according to the item protected:

- In order to fully protect data media, industry standards indicate that products should carry ECB•S EN 1047-1, UL 72 Class 125 or NT Fire 017 60/120 DIS.

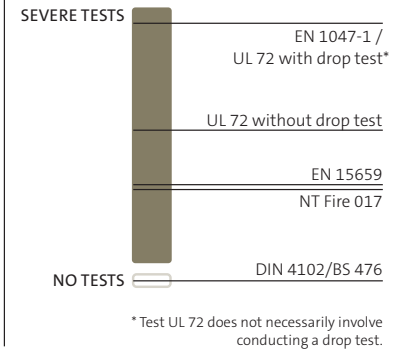
The ECB•S and UL tests monitor the internal temperature of the data cabinet until it has completely cooled down during the “soakout” period. Assessing products during this period is essential, since internal temperatures can peak up to six to eight hours after a fire has been extinguished. Such tests ensure that all products are comprehensively tested and, upon passing, will fully protect your data media for the specific time period stated.

- For document protection, all products must have an appropriate industry standard 30-, 60- or 120-minute paper certificate.

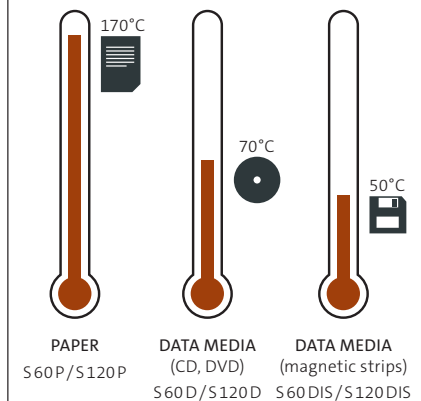
UL 72 Class 350, ECB•S EN 1047-1, EN 15659 or NT Fire 017 are acceptable standards for paper document protection.

## LEVELS OF RESISTANCE

Alongside extremely strict standards, you will also find a number of others that are less stringent in terms of resistance.



## HIGHEST ALLOWED INSIDE TEMPERATURE



## STANDARD IN BRIEF

STANDARDS	TEMPERATURE TEST	DROP TEST	PAPER	DATA MEDIA	COOLING
EN 1047-1	1090°C	9.15 metres	S 60 P (60 min.) / S 120 P (120 min.)	S 60 DIS (60 min.) / S 120 DIS (120 min.)	incl. the cooling period
UL 72	1090°C	9.15 metres (In UL the drop test is optional so always check what is being claimed)	Class 350 (½, 1, 2 hours)	Class 125 (½, 1, 2 hours)	incl. the cooling period
EN 15659	850°C	no	LFS 30 P (30 min.) / LFS 60 P (60 min.)	no application	not tested
NT Fire 017	1090°C	no	60 paper (60 min.) / 90 paper (90 min.) / 120 paper (120 min.)	60 diskettes (60 min.) / 120 diskette (120 min.)	not tested
DIN 4102/BS 476	not tested	not tested	not tested	not tested	not tested



# EUROPEAN CERTIFICATION FOR SAFES EXPLAINED

In order to attest to the quality of a certified product, an information plate is adhered to the inside of the product. This provides you with guarantees that the product has been tested and manufactured in an environment that has been checked by the certifying body. Below is shown the ECB•S label and the details listed on the information plate.

## BURGLARY PROTECTION CERTIFICATION

### SERIAL NO.

Each product can be identified by a unique serial number. This number is given by the certifying body

### EN 1143-1/EN 14450

The European standard that the product meets

### CERT. MARK. NO.

Certificate number issued by the certifying body

### RESISTANCE GRADE

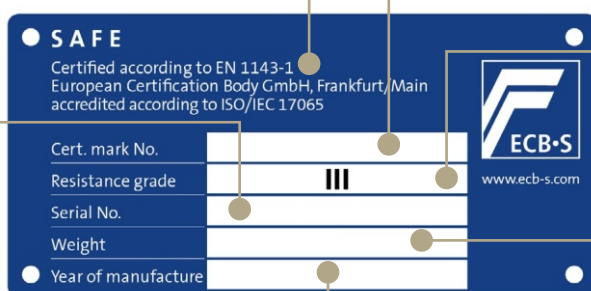
Resistance classes

### WEIGHT

The safe's net weight. A 5% tolerance in the net weight indicated is accepted

### YEAR OF MANUFACTURE

The year that the product was manufactured



## FIRE PROTECTION CERTIFICATION

### SERIAL NO.

Each product can be identified by a unique serial number. This number is given by the certifying body

### EN 1047-1/EN 15659

The European standard that the product meets

### CERT. MARK. NO.

Certificate number issued by the certifying body

### PROTECTION CLASS

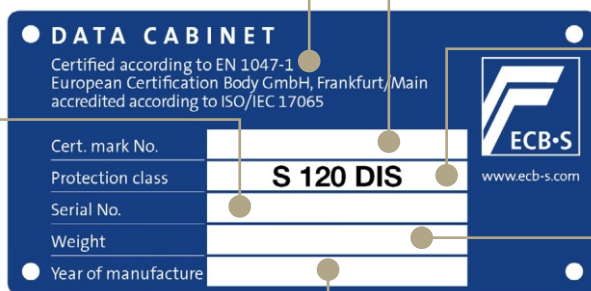
Resistance classes

### WEIGHT

The safe's net weight. A 10% tolerance in the net weight indicated is accepted

### YEAR OF MANUFACTURE

The year that the product was manufactured



Fire testing is undertaken by independent laboratories with certificates issued by certification authorities. Here are some examples of test institutes and certificates that you may encounter: ECB•S, UL, iBMB, MPA Dresden, Applus RTD, RISE, VdS.

FOR MORE DETAILED INFORMATION, contact your insurance company or visit the [chubbsafes.com](http://chubbsafes.com) website.

# SAFES BY CERTIFICATION

N.B.: RISE (Research Institutes of Sweden) is formerly known as SP (Technical Research Institute of Sweden).

PRODUCT	STANDARD	CLASSIFICATION	CERTIFICATION BODY
<b>BURGLARY PROTECTION</b>			
Air	n/a	n/a	n/a
Air Hotel	n/a	n/a	n/a
Alpha Plus	n/a	n/a	n/a
Consul	EN 1143-1	Grade 0 to I	ECB+S
Europa Deposit	n/a	n/a	n/a
ForceGuard	n/a	n/a	n/a
HomeStar	n/a	Silver Level	Sold Secure
Omega Deposit	n/a	n/a	n/a
ProGuard	EN 1143-1	Grade III	ECB+S
ProGuard DT	EN 1143-2	Grade DI to DII	ECB+S
Rhino Mk II DT	n/a	n/a	n/a
Sigma Deposit	n/a	n/a	n/a
<b>FIRE PROTECTION</b>			
6000 Series Files	EN 15659	LFS 60 P	ECB+S
Archive Cabinet	n/a	n/a	n/a
Binder Fire File	UL 72 Class 350	2h Fire	UL
DataGuard NT	NT Fire 017	120 Diskette	RISE
DPC	UL 72 Class 350	2h Fire	UL
Executive	NT Fire 017 & UL 72 Class 350	60 Paper & 1h Fire	RISE & UL
Fire File 25"	UL 72 Class 350	1h Fire	UL
Fire File 31"	UL 72 Class 350	1h to 2h Fire	UL
Lateral Fire File	UL 72 Class 350	1h Fire	UL
<b>COMBINED BURGLARY &amp; FIRE PROTECTION</b>			
DataPlus	EN 14450 & EN 1047-1 & UL 72 Class 125	Level S2 & S 120 DIS & 2h Fire	ECB+S & UL
DuoForce	EN 1143-1 & NT Fire 017	Grade III & 60 Paper	ECB+S
DuoForce T2	EN 1143-1 & NT Fire 017	Grade IV T2 to VI T2 & 60 Paper	ECB+S
DuoGuard GI	EN 1143-1 & EN 1047-1	Grade I T2 & S 60 P	ECB+S
DuoGuard GII	EN 1143-1 & NT Fire 017	Grade II T2 & 90 Paper	ECB+S & RISE
Europa	EN 1143-1 & NT Fire 017	Grade I T2 to III T2 & V T2 & 60 Paper	ECB+S & RISE
HomeSafe S2 30P	EN 14450 & EN 15659	Level S2 & LFS 30 P	ECB+S
Mini Banker Mk II	EN 14450 & JIS S 1037	Level S2 & 1h	ECB+S & BIT
Rhino Mk II	EN 14450 & EN 15659	Level S2 & LFS 60 P	ECB+S
Rhino Mk II DT	n/a	n/a	n/a
Senator	EN 1143-1 & EN 15659	Grade I & LFS 30 P	ECB+S
<b>COMBINED BURGLARY, FIRE &amp; EXPLOSION PROTECTION</b>			
TriForce T2	EN 1143-1 & NT Fire 017	Grade IV T2 to VI T2 & Grade IV EX to Grade VI EX & 60 Paper	ECB+S

# WHICH LOCK IS RIGHT FOR YOU?

Depending on the range, you can customise your product with a different lock. Thus you can benefit from a comprehensive lock offering that includes the latest industry solutions, which offer a wide range of features. So whether it be the “mechanical combination” lock or an electronic solution, you can be sure to have a lock that will meet your security needs. Below the key terms associated with the range of locks.

## DEFINITIONS

**KEY LOCK:** A manual key-operated lock.

**MECHANICAL COMBINATION:** A mechanical keyless dial lock with a changeable combination.

**ELECTRONIC LOCK:** An electronically-operated keypad lock with a changeable combination.

**MANAGER MODE:** Allows one user to control the functions of other combination holders.

**NUMBER OF USERS:** The number of users able to program in their own access code.

**DURESS FEATURE:** An alarm engineer can link the lock into a monitored alarm system. Then, using a given procedure, the lock can be operated, the safe opened and a silent signal given to the monitoring station that this is being done under duress.

**TIME DELAY:** This feature allows for a pre-set delay between operating the lock and being able to open the safe. The operation may vary between lock types.

**TIME LOCK:** Time lock allows the user to set periods during which the lock may be operated, e.g. during business hours only. The options available will vary between locks.

**AUDIT TRAIL:** The lock is able to give a report (it will vary in detail from model to model) of usage and may show times of operation, codes used and operations performed.

**DUAL CONTROL:** Allows two users to enter their details before any operation can be performed.





MODEL SHOWN: CONSUL M-15

# CONSUL

## BURGLARY-RESISTANT PROTECTION



### KEY FEATURES

- Market leading light weight allows for easier installation.
- Burglary protection in accordance with EN 1143-1, as certified by ECB+S for Grade 0 and I.
- Composite door made from 10mm steel with an overall thickness of 35mm.
- The body is 45 mm overall, comprising the inner and outer steel walls, the space between which is filled with a multi-material burglary resistant barrier.
- 25mm diameter steel bolts secure the door, three operating horizontally and two each vertically upwards and downwards.
- Recessed door & concealed internal hinges which give a smooth finish & prevent areas of attack.
- Model 25 & above has the ability to store A4 Binders.
- Consul comes in two lock options:
  - Double-bitted 8 lever, EN 1300 Class A certified key lock to which two 90mm keys are supplied.
  - A user-programmable, EN 1300 Class B electronic lock capable of accepting two differing user codes and a time-delay function.
- The safe is prepared & anchoring kit is supplied to allow the Consul range to be securely base- or rear-fixed to resist unauthorised removal once installed.

### PRODUCT SPECIFICATIONS

#### Grade 0/Grade I

Model	External Height (mm)	External Width (mm)	External Depth (mm)	Internal Height (mm)	Internal Width (mm)	Internal Depth (mm)	Capacity (litres)	Net Weight (kg)
M-15	280/-	370/-	350/-	190/-	280/-	250/-	13/-	40/-
M-20	-/330	-/450	-/330	-/240	-/360	-/230	-/20	-/50
M-25	330	450	400	240	360	300	26	54/59
M-40	450	450	400	360	360	300	39	67/72
M-50	570	450	400	480	360	300	52	81/86
M-65	690	450	400	600	360	300	65	94/100
M-80	-/850	-/450	-/400	-/760	-/360	-/300	-/82	-/117

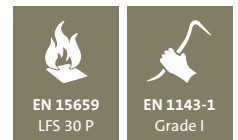
Dimensions exclude handle and hinge projections.



MODEL SHOWN: SENATOR M-65

# SENATOR

## BURGLARY & FIRE-RESISTANT PROTECTION



### KEY FEATURES

- Dual Certification: Burglary (EN 1143-1) Grade I and Fire (EN 15659, LFS 30 P).
- Certified locks: EN 1300 certified Class A key lock or Class B high-security electronic lock.
- Four models available: 32, 46, 63 or 190 litres.
- Secure bolt work and traditional heavy weight design.
- Enhanced design: removable door for easy installation and a reduced overall weight by 15%.
- Fittings: each safe is supplied with one shelf as standard.
- Attractive appearance: single-colour door and body in dark grey (RAL 7016).
- Ideal for the home or office.

### PRODUCT SPECIFICATIONS

Model	External Height (mm)	External Width (mm)	External Depth (mm)	Internal Height (mm)	Internal Width (mm)	Internal Depth (mm)	Capacity (litres)	Net Weight (kg)
M-30	370	500	403	290	420	263	32	121
M-45	500	500	403	420	420	263	46	150
M-65	650	500	403	570	420	263	63	183
M-190	862	654	563	782	574	423	190	329

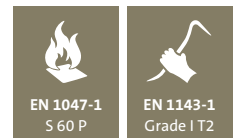
Dimensions exclude handle and hinge projections.



MODEL SHOWN: DUOGUARD M-445

# DUOGUARD GI

## BURGLARY & FIRE-RESISTANT PROTECTION



### KEY FEATURES

- Burglary protection in accordance to the highest certified resistance levels, available in Grade I T2, certified by ECB•S in accordance with the stringent European standard, EN 1143-1 T2. DuoGuard hereby complies and is certified with the world's strictest requirements for quality and burglary resistance.
- Approved by ECB•S in accordance with EN 1047-1 in class S 60 P for one hour's fire protection of paper documents.
- Torch-resistant barrier material – Dualite – ensures burglary and fire protection whilst also reducing its total weight and minimising transportation and installation costs.
- Ergonomic soft-touch handle and a range of internal fittings to maximise storage capacity.
- The three-way boltwork is made from solid steel bolts.
- A Class A mechanical key lock or a Class B high-security electronic lock, approved in accordance with EN 1300, are both available as primary lock options.
- Fitted with an active relocker and anti-drilling plates incorporated into the boltwork to withstand burglary attempts. (T200X carbide-clad steel plates).

### PRODUCT SPECIFICATIONS

Model	External Height (mm)	External Width* (mm)	External Depth** (mm)	Internal Height (mm)	Internal Width*** (mm)	Internal Depth (mm)	Capacity (litres)	Net Weight (kg)
M-40	435	500	456	335	400	295	40	100
M-60	530	500	521	430	400	360	62	123
M-115	690	600	561	590	500	386	114	175
M-150	875	600	561	775	500	386	150	212
M-205	1150	600	561	1050	500	386	203	264
M-290	1600	600	561	1500	500	386	290	337
M-355	1600	675	585	1500	575	410	354	374
M-445	1850	675	615	1750	575	440	443	436

SPECIFICATIONS FOR **OPTIONAL FITTINGS** ARE AVAILABLE ON PAGE 45

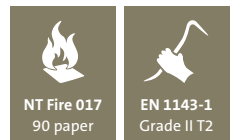
Projection of hinge\* (20mm) and projection of handle\*\* (65mm) not included. \*\*\* Width excluding shelf racking strips. Racking reduces the internal width by 15mm



MODEL SHOWN: DUOGUARD GII M-115

# DUOGUARD GII

## BURGLARY & FIRE-RESISTANT PROTECTION



### KEY FEATURES

- Burglary protection in accordance to the highest certified resistance levels, available in Grade II T2, certified by ECB•S in accordance with the stringent European standard, EN 1143-1 T2. DuoGuard hereby complies and is certified with the world's strictest requirements for quality and burglary resistance.
- Approved by RISE Research Institutes of Sweden in accordance with fire resistance class NT Fire 017 – 90 paper and RISE's certification rules for fire resisting storage cabinets, SPCR 002.
- Torch-resistant barrier material – Dualite – ensures burglary and fire protection whilst also reducing its total weight and minimising transportation and installation costs.
- The three-way boltwork is made from solid steel bolts.
- Fitted with an active relocker and anti-drilling plates incorporated into the boltwork to withstand burglary attempts.
- A Class A mechanical key lock or a Class B high-security electronic lock, approved in accordance with EN 1300, are both available as primary lock options.
- Ergonomic soft-touch handle and a range of internal fittings to maximise storage capacity.

### PRODUCT SPECIFICATIONS

Model	External Height (mm)	External Width* (mm)	External Depth** (mm)	Internal Height (mm)	Internal Width*** (mm)	Internal Depth (mm)	Capacity (litres)	Net Weight (kg)
M-65	578	526	547	452	400	360	65	265
M-115	716	626	587	590	500	386	114	379
M-150	901	626	587	775	500	386	150	456
M-205	1176	626	587	1050	500	386	203	582
M-290	1626	626	587	1500	500	386	290	748
M-355	1626	701	611	1500	575	410	354	829
M-445	1876	701	641	1750	575	440	443	970

SPECIFICATIONS FOR **OPTIONAL FITTINGS** ARE AVAILABLE ON PAGE 45

Projection of hinge\* (20mm) and projection of handle\*\* (65mm) not included. \*\*\*Width excluding shelf racking strips. Racking reduces the internal width by 15mm



MODEL SHOWN: PROGUARD M-370



# PROGUARD

## BURGLARY-RESISTANT PROTECTION

### KEY FEATURES

- Burglary protection in accordance with the European EN 1143-1 standard, as certified by ECB•S for Grade III.
- ProGuard's special barrier material provides certified burglary protection whilst also keeping the total weight of the safe down. Less weight means lower transportation costs and greater installation options.
- A higher level of protection can be offered in a safe with reduced wall thickness and increased interior capacity.
- The three-way boltwork is constructed with solid steel bolts.
- For additional security, ProGuard is fitted with an active relocker and anti-drilling plates have been incorporated into the boltwork to withstand burglary attempts.
- Either a mechanical key lock or a high-security electronic lock can be used as the primary lock option. At least one EN 1300 Grade B lock must be fitted as standard.
- Every model can be customised with a range of internal fittings to maximise storage capacity. NOTE: Brackets need to be ordered for each fitting
- ProGuard has a modern design with an ergonomic soft-touch handle.

### PRODUCT SPECIFICATIONS

Model	External Height (mm)	External Width (mm)	External Depth (mm)	Internal Height (mm)	Internal Width (mm)	Internal Depth (mm)	Capacity (litres)	Net Weight (kg)
M-65	530	500	521	440	410	359	65	208
M-120	690	600	561	600	510	396	121	320
M-160	875	600	561	785	510	396	159	386
M-215	1150	600	561	1060	510	396	214	481
M-305	1600	600	561	1510	510	396	305	636
M-365	1295	785	620	1205	695	530	363	685
M-370	1600	675	585	1510	585	420	371	701
M-465	1850	675	615	1760	585	450	463	827

SPECIFICATIONS FOR **OPTIONAL FITTINGS** ARE AVAILABLE ON PAGE 45

External dimensions exclude handle and hinge projections.





# DUOFORCE

## BURGLARY & FIRE-RESISTANT PROTECTION



### KEY FEATURES

- Burglary resistance in accordance with the European standard, EN 1143-1, as certified by ECB•S for Grade III. Meets the demands of all Insurance Companies when it comes to burglary resistance.
- Tested by an independent, ISO 17025 accredited laboratory according to the NT Fire 017 – 60 Paper standard with certification managed by ECB•S. Protects your vital documents from the effects of fire.
- All sizes can be trusted to protect their contents not just against unauthorised forced burglary attack but also against the extreme temperatures experienced during fire.
- Supplied with one key lock as standard with the option of a factory fitted electronic lock or optional two locks. This gives the flexibility to customise how DuoForce can be secured and operated
- DuoForce Grade III introduces a new small size, Model 40; ideally suited to Residential clients requiring the safe storage of jewellery and valuables or needing to comply with local legislation concerning gun storage. DuoForce can be installed almost anywhere
- Ergonomic soft-touch handle and a range of internal fittings to maximise storage capacity

### PRODUCT SPECIFICATIONS

Model	External Height (mm)	External Width (mm)	External Depth (mm)	Internal Height (mm)	Internal Width (mm)	Internal Depth (mm)	Capacity (litres)	Net Weight (kg)	No. of Shelves
M-40	537	451	525	412	326	327	43	200	1
M-65	565	537	582	440	412	384	69	260	1
M-120	725	635	617	600	510	419	127	380	2
M-160	910	635	617	785	510	419	167	465	2
M-225	1185	635	617	1060	510	419	226	600	2

SPECIFICATIONS FOR **OPTIONAL FITTINGS** ARE AVAILABLE ON PAGE 45

External dimensions exclude handle and hinge projections. In line with certification, weights can vary by +/- 5%.



# DUOFORCE T2

## BURGLARY & FIRE-RESISTANT PROTECTION



### KEY FEATURES

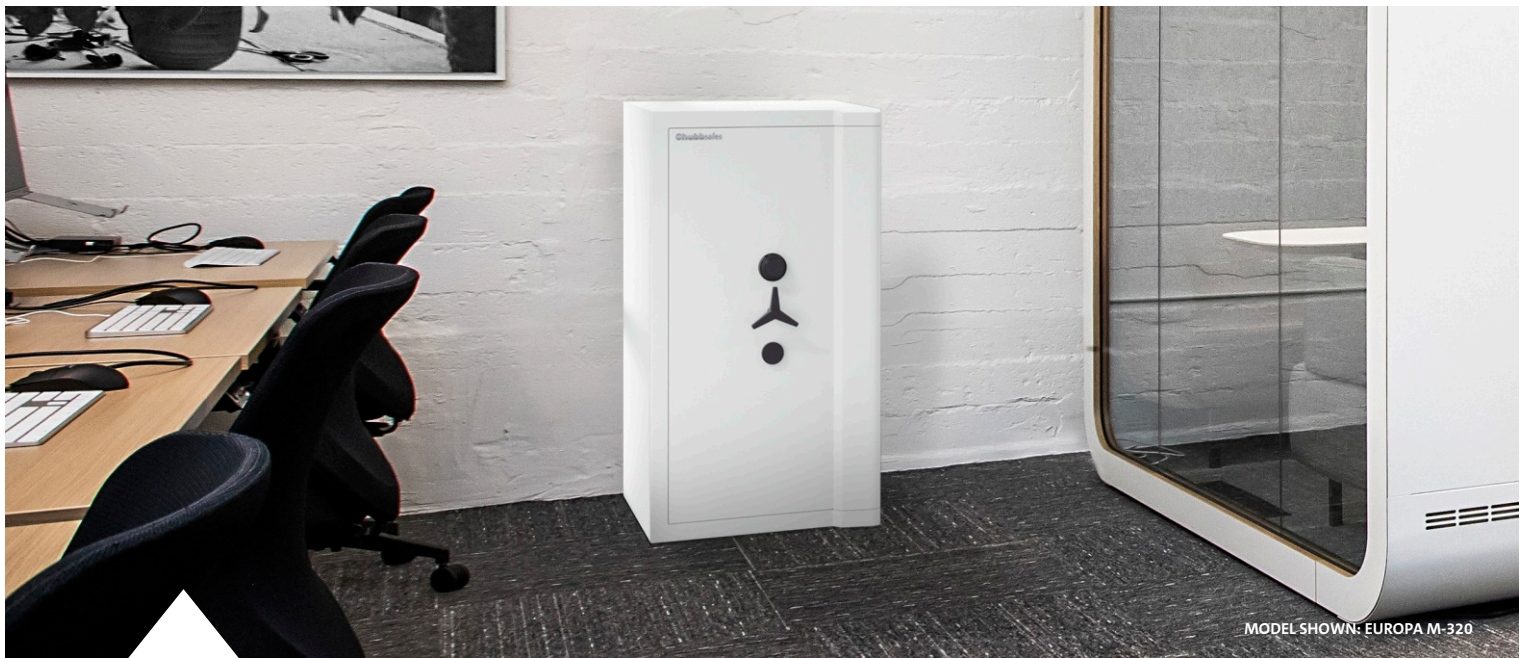
- Burglary resistance in accordance with the updated and more stringent European standard, EN 1143-1:2019 T2, as certified by ECB•S for Grade IV, V and VI.
- Meets the demands of all insurance companies when it comes to burglary resistance.
- Tested by an independent, ISO 17025 accredited laboratory according to the NT Fire 017 – 60 Paper standard with certification managed by ECB•S. Protects your vital documents from the effects of fire.
- Optional Planar Protection is a fully integrated, alarm wiring matrix within the safe body.
- Optional Core Drill (CD) protection is available whilst at the same time retaining fire protection, an industry first
- Supplied with two locks as standard with the option of a factory-fitted electronic lock. This gives the flexibility to customise how DuoForce T2 can be secured and operated
- Ergonomic soft-touch handle and a range of internal fittings to maximise storage capacity

### PRODUCT SPECIFICATIONS

Model	External Height (mm) Gr. IV,V/VI	External Width (mm) Gr. IV,V/VI	External Depth (mm) Gr. IV,V/VI	Internal Height (mm) Gr. IV,V/VI	Internal Width (mm) Gr. IV,V/VI	Internal Depth (mm) Gr. IV,V/VI	Capacity (litres) Gr. IV,V/VI	Net Weight (kg) Gr. IV,V/VI	No. of Shelves
M-65	739/-	574/-	584/-	555/-	390/-	300/-	65/-	571/-	1
M-95	974/994	574/594	584/607	790	390	300	95	720/768	2
M-245	974/994	824/844	764/787	790	640	480	245	1125/1220	2
M-405	1494/1514	824/844	764/787	1310	640	480	405	1594/1736	3
M-520	1874/1894	824/844	764/787	1690	640	480	520	1932/2104	4
M-885	1874/1894	1274/1294	764/787	1690	1090	480	885	2675/2922	4
M-1090	1874/1894	1524/1544	764/787	1690	1340	480	1090	3075/3370	4

SPECIFICATIONS FOR **OPTIONAL FITTINGS** ARE AVAILABLE ON PAGE 45

External dimensions exclude handle and hinge projections. In line with certification, weights can vary by +/- 5%.



MODEL SHOWN: EUROPA M-320

# EUROPA

## BURGLARY-RESISTANT PROTECTION



### KEY FEATURES

- Professional high security safe protecting valuables up to the highest certified resistance levels, available in Grades I T2, II T2, III T2 and V T2, certified by ECB-S in accordance with the stringent European standard, EN 1143-1 T2.
- EN 1143-1:2019 is the latest version of this globally respected burglary resistant standard. The new T2 classification includes tests with the more powerful and effective versions of the tools available to burglars today: Power tools, grinders, cutters and thermal tools have upgraded performance over earlier models. Europa T2 models provide protection against current and foreseeable future threats.
- Europa Grade I T2 & II T2 are certified NT Fire 017 – 60 Paper for one-hour protection of paper from fire by RISE.
- A choice of locking options are available at additional costs.
- Each safe can be equipped with high quality fittings to maximize storage requirements.
- Base fixing is standard on all models.
- Light grey finish (RAL 9002).

### PRODUCT SPECIFICATIONS

Model	Available T2 Grades	External Height (mm)	External Width (mm)	External Depth (mm)	Internal Height (mm)	Internal Width (mm)	Internal Depth (mm)	Capacity (litres)	Net Weight T2 Grade I/II/III/V (kg)	No. of Shelves	Set of Drawers
M-30	I	568	508	450	400	340	209	28	279/-/-	1	0
M-60	I,II	628	528	603	460	360	360	60	375/381/-	1	1
M-115/140	I,II,III/V	718	668	663	550/588	500/538	420/444	116/140	534/536/539/580	2	1
M-180/210	I,II,III/V	1018	668	663	850/888	500/538	420/444	179/212	676/705/717/770	2	1
M-275/320	I,II,III/V	1208	668	773	1040/1078	500/538	530/554	276/322	906/880/920/980	2	1
M-345/400	I,II,III/V	1468	668	773	1300/1338	500/538	530/554	345/400	1030/1060/1084/1150	2	1
M-505/570	I,II,III/V	1796	903	663	1628/1666	735/773	420/444	503/572	1320/1370/1400/1520	2	1
M-635/715	I,II,III/V	1796	903	773	1628/1666	735/773	530/554	634/715	1480/1571/1620/1680	2	1

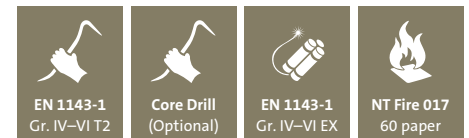
Grade V has different dimensions for the range from M-140 to M-715 (see data after "/"). Fire protection is only available for sizes in Grade I to II.



MODEL SHOWN: TRIFORCE T2 M-405

# TRIFORCE T2

## BURGLARY, FIRE & EXPLOSION-RESISTANT PROTECTION



EN 1143-1  
Gr. IV-VI T2

Core Drill  
(Optional)

EN 1143-1  
Gr. IV-VI EX

NT Fire 017  
60 paper

### KEY FEATURES

- Burglary resistance in accordance with the updated and more stringent European standard, EN 1143-1:2019 T2, as certified by ECB•S for Grade IV, V and VI.
- Tested by an independent, ISO 17025 accredited laboratory according to the NT Fire 017 – 60 Paper standard with certification managed by ECB•S. Protects your vital documents from the affects of fire.
- Protection against explosives in Grade IV EX to VI EX. Certified by ECB•S in accordance with the stringent European standard, EN 1143-1.
- Optional Planar Protection is a fully integrated, alarm wiring matrix within the safe body. Designed to be connected up to existing in-situ security systems.
- Optional Core Drill (CD) protection is available whilst at the same time retaining fire protection, an industry first.
- Supplied with two locks as standard with the option of a factory fitted electronic lock. This gives the flexibility to customise how TriForce can be secured and operated.
- Ergonomic soft-touch handle and a range of internal fittings to maximise storage capacity.

### PRODUCT SPECIFICATIONS

Model	External Height (mm)	External Width (mm)	External Depth (mm)	Internal Height (mm)	Internal Width (mm)	Internal Depth (mm)	Capacity (litres)	Net Weight (kg) Gr. IV,V/VI	No. of Shelves
M-95	974	574	584	790	390	300	95	731/779	2
M-245	974	824	764	790	640	480	245	1143/1238	2
M-405	1494	824	764	1310	640	480	405	1618/1759	3
M-520	1874	824	764	1690	640	480	520	1958/2130	4
M-885	1874	1274	764	1690	1090	480	885	2729/2977	4
M-1090	1874	1524	764	1690	1340	480	1090	3131/3426	4

SPECIFICATIONS FOR **OPTIONAL FITTINGS** ARE AVAILABLE ON PAGE 45

External dimensions exclude handle and hinge projections. In line with certification, weights can vary by +/- 5%.



MODEL SHOWN: SIGMA DEPOSIT M-30

# SIGMA DEPOSIT

## BURGLARY-RESISTANT PROTECTION



### KEY FEATURES

- Laser-cut door made of 8 mm plate steel.
- Body made from 3 mm steel.
- 25mm diameter steel locking bolts.
- Shelf supplied in model 50.
- Sigma Free Standing Deposit Safes come with two lock options:
  - Double-bitted 8-lever key lock.
  - A programmable electronic lock (available for M-40 and M-50).
- An anchoring kit is supplied so the safe can be securely base- or rear-fixed, preventing unauthorised removal once installed.

### PRODUCT SPECIFICATIONS

Model	External Height (mm)	External Width (mm)	External Depth (mm)	Internal Height (mm)	Internal Width (mm)	Internal Depth (mm)	Capacity (litres)	Net Weight (kg)
M-30	305	375	350	299	369	289	32	27
M-40	375	375	350	369	369	289	39	33
M-50	475	375	350	469	369	289	50	38

Dimensions exclude handle and hinge projections. Deposit Slot measures 170mm wide x 16mm high.



MODEL SHOWN: OMEGA DEPOSIT M-50

# OMEGA DEPOSIT

## BURGLARY-RESISTANT PROTECTION



### KEY FEATURES

- Protects organisations from opportunist attacks.
- Ideal for retail outlets operating remotely from central areas and in multi-shift or out-of-hours environments where key holders are not always available.
- Securely holds cash without the need for the safes to be opened.
- Ensures that large quantities of money do not accumulate in the cash till.
- Door is made from 10mm steel.
- Body is made from 6mm steel.
- 20mm diameter steel bolts secure the door.
- Door bolts operate in three directions.
- An anti-fishing device prevents deposits from being removed once deposited into the deposit chute.
- Shelf supplied with model 50.
- Omega Deposit comes with three lock options:
  - Double-bitted 8-lever key lock.
  - A programmable multi-user electronic lock with optional dual control.
  - Electronic lock complete with a double bitted, emergency override key.
- An anchoring kit is supplied so the safe can be securely base- or rear-fixed, preventing unauthorised removal once installed.

### PRODUCT SPECIFICATIONS

Model	External Height (mm)	External Width (mm)	External Depth (mm)	Internal Height (mm)	Internal Width (mm)	Internal Depth (mm)	Capacity (litres)	Net Weight (kg)
M-25	455	340	380	212	328	308	24	54
M-50	698	340	380	455	328	308	48	75

Dimensions exclude handle and hinge projections. Deposit opening measures 80mm high x 265mm wide x 220mm deep.



MODEL SHOWN: RHINO MK II DT M-75

# RHINO MK II DT

## BURGLARY & FIRE-RESISTANT PROTECTION



### KEY FEATURES

- Designed for retail and commercial use.
- 65mm barrier thickness made of a high-density monolithic casting contained within inner and outer steel casings.
- Solid composite 35mm thick main door is combined with additional protection plates to protect crucial locking areas. Solid steel 28.5 mm diameter moving bolts attach the door to the body, while fixed "anti-heeling" bolts on the door's rear edge protect the hinge side.
- Deposit drawer with solid 10mm steel plate front combined with an internal anti-fishing mechanism to secure all items deposited.
- Main door secured by EN 1300 Class A primary locks which can be single lock, be it a key lock, manual combination or electronic lock depending upon individual requirements. For additional security, a second lock is possible.
- Drawer deposit unit secured by a single EN 1300-certified Class A lock.
- Two security fixing bolts to ensure it can be firmly fixed to the floor when installed.

### PRODUCT SPECIFICATIONS

Model	External Height (mm)	External Width (mm)	External Depth (mm)	Internal Height (mm)	Internal Width (mm)	Internal Depth (mm)	Capacity (litres)	Net Weight (kg)
M-40	654	500	501	270	370	320	40	256
M-55	854	500	501	470	370	320	56	330
M-75	1004	500	501	620	370	320	73	353
M-130	1004	630	601	620	500	420	130	453
M-180	1234	630	601	850	500	420	179	533

Dimensions exclude handle and hinge projections.



MODEL SHOWN: PROGUARD DT M-45

# PROGUARD DT

## BURGLARY-RESISTANT PROTECTION



### KEY FEATURES

- Certified, tested and approved in accordance with the European EN 1143-2 standard, in Grades DI and DII.
- EN 1143-2 certified meaning that insurance ratings are not affected by the additional deposit function.
- Built using the same technology as the ProGuard, which is certified in accordance with the European EN 1143-1 standard for Grade II.
- Constructed using a new composite material designed for strength and reduction in total weight, keeping transportation and installation costs to a minimum.
- Solid steel three-way boltwork.
- Anti-fishing device to prevent anyone reaching the contents through the drawer.
- Fitted with an active relocker and anti-drilling plates incorporated into the boltwork to resist burglary attempts.
- A Class A mechanical key lock or a Class B electronic lock, approved in accordance with EN 1300, available as primary lock options. Electronic locks increase the level of security and prevent unauthorised access.
- Drawer trap fitted with a Class A key lock.

### PRODUCT SPECIFICATIONS

Model	External Height (mm)	External Width (mm)	External Depth (mm)	Internal Height (mm)	Internal Width (mm)	Internal Depth (mm)	Net Weight (kg) Gr I	Net Weight (kg) Gr II	Capacity* (litres)	Drawer Width (mm)	Drawer Depth (mm)
M-45	687	500	521	314	400	360	162	302	45	350	230
M-90	847	600	561	474	500	386	218	426	91	450	230
M-125	1052	600	561	659	500	386	242	499	127	450	230
M-180	1307	600	561	934	500	386	290	602	180	450	230

Dimensions exclude handle and hinge projections. \* Useable volume below deposit and anti-fishing device.





MODEL SHOWN: EUROPA DEPOSIT M-180

# EUROPA DEPOSIT

## BURGLARY-RESISTANT PROTECTION



### KEY FEATURES

- High quality deposit safe constructed from modern high specification materials.
- Deposit feature allows multiple users to constantly deposit cash and valuables securely whilst the main body of the safe remains locked.
- Can be customised with various locking options to suit your requirements.
- Optional internal fittings available: retaining shelf and retaining cupboard.
- Deposit drawer is secured by a double bitting key lock.

### PRODUCT SPECIFICATIONS

Model	External Height (mm)	External Width (mm)	External Depth* (mm)	Internal Height (mm)	Internal Width (mm)	Internal Depth (mm)	Volume** (litres)	Weight (kg)	No. of Standard Key Locks
M-60, GI	882	528	603	460	360	360	60	525	1
M-115, GI	972	668	663	550	500	420	116	694	1
M-180, GI	1272	668	663	850	500	420	180	852	1
M-115, GIII	972	668	663	550	500	420	116	754	2
M-180, GIII	1272	668	663	850	500	420	180	918	2
M-140, GV	972	668	663	588	538	444	140	798	2
M-210, CV	1272	668	663	888	538	444	212	1052	2

SPECIFICATIONS FOR **OPTIONAL FITTINGS** ARE AVAILABLE ON PAGE 45

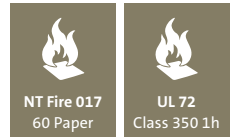
\*Projection of handle (56mm) not included. \*\*Internal volume does not include allowance for anti-fishing devices



MODEL SHOWN: EXECUTIVE M-40

# EXECUTIVE

## FIRE-RESISTANT DOCUMENT PROTECTION



### KEY FEATURES

- Fire can strike anywhere – the office or the home. Executive Cabinets provide peace of mind: in the event of a fire breaking out, you can be sure that your paper work can be recovered in a usable condition.
- Ideal for storing essential documents such as wills, property deeds, contracts, insurance policies and many more.
- Certified by both RISE (NT Fire 017 – 60 Paper) and UL (UL Class 350 1hr) for 60 minutes' fire resistance.
- Overall body thickness of 50mm, comprising an inner and outer steel body containing a specially formulated fire-resistant solid barrier material.
- Models come with a choice of two lock options – A cylinder lock utilising a secure flat profile key.
- Overall door thickness of 66mm.
- Programmable and user-friendly electronic lock.
- An anchoring kit is supplied which allows the safe to be securely base-fixed, preventing unauthorised removal.
- Comes with internal fittings as standard, meaning that the unit is ready for use as soon as it is received.

### PRODUCT SPECIFICATIONS

Model	External Height (mm)	External Width (mm)	External Depth (mm)	Internal Height (mm)	Internal Width (mm)	Internal Depth (mm)	Capacity (litres)	Net Weight (kg)	No. of Trays	No. of Shelves
M-15	300	390	320	210	310	215	14	25	1	0
M-25	345	425	450	240	320	320	25	45	1	0
M-40	525	410	450	415	305	320	41	57	1	1
M-70	670	550	510	515	395	340	71	120	0	2

Dimensions exclude handle and hinge projections.



MODEL SHOWN: DPC M-400P

# DPC

## FIRE-RESISTANT DOCUMENT PROTECTION



### KEY FEATURES

- High capacity storage solution with fire protection, ideal for office environments such as banks and financial institutions.
- Certified by Underwriter's Laboratories according to UL 72 Class 350 for up to 120 minutes fire protection.
- Automatic mechanism to ensure bolts are in place and able to resist fire whenever the door is closed.
- Interlocking door system on double door models to prevent the cabinet from being left open.
- Available in six high-capacity sizes from 160 to 670 litres.
- EN 1300 Class A certified key lock fitted as standard.
- Dual locking or single electronic or manual combination locks available at additional costs.
- Anchoring kit to fix the safe on the floor and prevent from unauthorised removal available on request.
- Shelf/shelves supplied as standard.
- Optional internal fittings available including pull out file frames and lockable drawers and cupboards.
- RAL 7035 body & RAL 7016 facia panel.

### PRODUCT SPECIFICATIONS

Model	External Height (mm)	External Width* (mm)	External Depth** (mm)	Internal Height (mm)	Internal Width*** (mm)	Internal Depth (mm)	Capacity (litres)	Net Weight (kg)	No. of Shelves	No. of Doors
M-160	859	759	605	700	600	382	160	235	1	1
M-240	1209	759	605	1050	600	382	240	315	2	1
M-400L	1209	1160	605	1050	1000	382	401	500	2	2
M-320	1559	759	605	1400	600	382	321	395	3	1
M-400P	1909	759	605	1750	600	382	401	470	4	1
M-670	1909	1160	605	1750	1000	382	670	650	4	2

SPECIFICATIONS FOR **OPTIONAL FITTINGS** ARE AVAILABLE ON PAGE 45

\*Projection of hinge (27mm) not included. \*\*Projection of handle (54mm) not included. \*\*\*Width excluding shelf racking strips. Racking reduces the internal width by 10mm



MODEL SHOWN: 6000 SERIES FILES, SIZE 6425

# 6000 SERIES FILES

## FIRE-RESISTANT DOCUMENT PROTECTION



### KEY FEATURES

- Certified according to EN 15659 LFS 60 P.
- Designed to take most suspension files.
- Available in two or four drawer versions.
- Easy-to-operate day catch to secure the drawers when closed.
- Units do not have to be locked to provide fire protection but just to be pushed closed.
- Fitted with one key lock controlling all drawers as standard.
- The option of dual locking, combination and key lock is available.
- Additional drawers may be individually locked by a key lock if desired.
- Light Grey RAL 7035, powder-coated finish and modern design which blends nicely into any office environment.
- Manufactured in accordance with ISO 9001 for quality management systems and ISO 14001 for environmental management systems.

### PRODUCT SPECIFICATIONS

Model	External Height (mm)	External Width (mm)	External Depth (mm)	Drawer Height (mm)	Drawer Width (mm)	Drawer Depth (mm)	Net Weight (kg)
6225	737	544	634	292	385	476	142
6425	1408	544	634	292	385	476	250
6230	737	544	776	292	385	633	165
6430	1408	544	776	292	385	633	306



MODEL SHOWN: FIRE FILE 25" M-210

# FIRE FILE 25"

## FIRE-RESISTANT DOCUMENT PROTECTION



### KEY FEATURES

- Certified for one hour's fire protection of documents in accordance with UL Standard 72, Class 350 Endurance.
- Maximised capacity that users can take full advantage of for their storage requirements.
- Chubb Safes' Fire File 25" is available in two- or four-drawer versions.
- Easy-to-operate day catch to secure the drawers when closed.
- Units do not have to be locked to provide fire protection: they just have to be pushed closed.
- High-quality steel sliders to ensure comfortable operation and full drawer access.
- Lighter weight construction which means smoother transportation and installation.
- All models fitted with high-security locks as standard.
- Light Grey RAL 7035, powder-coated finish and modern design which blends nicely into any office environment.
- Chubb Safes' Fire File 25" is manufactured in accordance with ISO 9001 for quality management systems and ISO 14001 for environmental management systems.

### PRODUCT SPECIFICATIONS

Model	External Height (mm)	External Width (mm)	External Depth (mm)	Internal Height (mm)	Internal Width (mm)	Internal Depth (mm)	Capacity (litres)	Net Weight (kg)	No. of Drawers
M-105	784	551	635	290	387	460	104	164	2
M-210	1510	551	635	290	387	460	208	291	4



MODEL SHOWN: FIRE FILE 31" M-270

# FIRE FILE 31"

## FIRE-RESISTANT DOCUMENT PROTECTION



### KEY FEATURES

- Certified according with UL standard 72 in Class 350 Endurance for both 1 hour and 2 hour duration.
- Available in two-, three- or four-drawer versions.
- On the two-hour certified models, each drawer is fire-protected. Even if one of the drawers is accidentally left open, the other closed drawers are still protected by the built in fire resistance partitions.
- Easy-to-operate day catch to secure the drawers when closed. Units do not have to be locked to provide fire protection but just to be pushed closed.
- High-quality steel sliders to ensure comfortable operation and full drawer access.
- Lighter weight construction which means smoother transportation and installation.
- Fitted with high-security locks as standard.
- Light Grey RAL 7035, powder-coated finish and modern design.
- Manufactured in accordance with ISO 9001 for quality management systems and ISO 14001 for environmental management systems.

### PRODUCT SPECIFICATIONS

Model	External Height (mm)	External Width (mm)	External Depth (mm)	Drawer Height (mm)	Drawer Width (mm)	Drawer Depth (mm)	Capacity (litres)	Net Weight (kg) 1h / 2h	No. of Drawers
M-135	784	551	779	290	387	604	136	194 / 197	2
M-205	1147	551	779	290	387	604	204	268 / 273	3
M-270	1510	551	779	290	387	604	272	321 / 328	4



MODEL SHOWN: LATERAL FIRE FILE M-360

# LATERAL FIRE FILE

## FIRE-RESISTANT DOCUMENT PROTECTION



### KEY FEATURES

- Certified by UL Underwriters Laboratories) to Class 350 Endurance 1 hour in accordance with Standard 72.
- Perfectly designed for today's modern offices, it sits closer to the wall for marginally more filing than traditional large filing cabinets, offering exceptional functionality and optimised storage.
- Maximised storage capacity with 3 or 4 drawers so users can fully meet their storage requirements.
- Easy-to-operate day catch to secure the drawers when closed.
- Units do not have to be locked to provide fire protection: they simply need to be pushed closed.
- High-quality steel sliders to ensure comfortable operation and full drawer access.
- Low-weight for reduced transportation and installation costs, and lighter floor loads.
- All models fitted with high-security locks as standard.
- Light Grey RAL 7035, powder-coated finish and modern design which blends nicely into any office environment.
- Manufactured in accordance with ISO 9001 for quality management systems and ISO 14001 for environmental management systems.

### PRODUCT SPECIFICATIONS

Model	External Height (mm)	External Width (mm)	External Depth (mm)	Drawer Height (mm)	Drawer Width (mm)	Drawer Depth (mm)	Capacity (litres)	Net Weight (kg)	No. of Drawers
M-270	1147	964	586	290	800	387	270	328	3
M-360	1510	964	586	290	800	387	359	411	4



MODEL SHOWN: BINDER FIRE FILE M-160

# BINDER FIRE FILE

## FIRE-RESISTANT DOCUMENT PROTECTION



### KEY FEATURES

- Certified UL Class 350 Endurance protection by UL for up to two hours.
- Maximised storage capacity that allows users to gain full advantage for their storage requirements. Available with 3 or 4 drawers and each drawer holds up to 40 A4 DIN 33mm binders, hence 120 and 160 binders in the three drawer and four drawer versions respectively. By comparison, a standard free standing cabinet with five levels of storage each of 1m length can only hold 150 such binders. Thus the ChubbSafes Binder Fire Files are the perfect storage solution for the congested offices.
- Insulation between drawers means each drawer's contents are protected in an event of fire if one drawer is left open.
- Easy operable day catch to secure the drawers when closed. Units do not have to be locked to provide fire protection but just be pushed closed.
- High-quality steel sliders to ensure comfortable operation and full drawer access.
- Low-weight cabinets for reduced transportation and installation costs, and lighter floor loads.
- All models fitted with high-security locks as standard.

### PRODUCT SPECIFICATIONS

Model	External Height (mm)	External Width (mm)	External Depth (mm)	Drawer Height (mm)	Drawer Width (mm)	Drawer Depth (mm)	Net Weight (kg)	Capacity (A4 Binders)	No. of Drawers
M-120	1276	801	836	333	637	660	402	120	3
M-160	1682	801	836	333	637	660	495	160	4





MODEL SHOWN: ULTRA FIRE FILE 31" M-270

# ULTRA FIRE FILE 31"

## FIRE-RESISTANT DOCUMENT PROTECTION



### KEY FEATURES

- Certified in accordance with UL Standard 72 in Class 350 Endurance and Impact for both 1 hour and 2 hour duration.
- A shock absorbing plinth provides maximum impact absorption in the event of a floor collapse in a building fire.
- In two-hour certified models, each drawer is individually protected from fire. Even if one of the drawers is accidentally left open, the other closed drawers are still protected.
- Maximised capacity for optimized storage.
- Extended drawers give full access.
- It is available in two-, three- or four-drawer versions.
- Easy-to-operate day catch to secure the drawers when closed.
- Units do not have to be locked to provide fire protection but just to be pushed closed.
- Lighter weight construction, means easier transportation and installation.
- Fitted with high-security locks as standard.
- Light Grey RAL 7035, powder-coated finish and modern design which blends nicely into any office environment.
- Manufactured in accordance with ISO 9001 for quality management systems and ISO 14001 for environmental management systems.

### PRODUCT SPECIFICATIONS

Model	External Height (mm)	External Width (mm)	External Depth (mm)	Drawer Height (mm)	Drawer Width (mm)	Drawer Depth (mm)	Capacity (liters)	Net Weight (kg) 1h / 2h	No. of Drawers
M-135	869	551	779	290	387	604	136	201 / 204	2
M-205	1222	551	779	290	387	604	204	275 / 280	3
M-270	1585	551	779	290	387	604	272	328 / 335	4



MODEL SHOWN: DATAGUARD NT M-130



NT Fire 017  
120 Diskette

# DATAGUARD NT

## FIRE-RESISTANT DATA MEDIA PROTECTION

### KEY FEATURES

- Certified NT Fire 017 – 120 Diskette for two-hour protection of data media from fire.
- Single-door safe with no insert required – maximising internal capacity and up to 60% more storage space than other safes in the same class.
- User-friendly, slam-action door. When shut, provides full fire protection without needing to be locked.
- Adjustable shelving and drawer units supplied as standard.
- Available in four models, ranging from 30 to 128 litres.
- Choice of key or electronic locking.

### PRODUCT SPECIFICATIONS

Model	External Height (mm)	External Width (mm)	External Depth (mm)	Internal Height (mm)	Internal Width (mm)	Internal Depth (mm)	Volume (litres)	Net Weight (kg)	Number of shelves	Number of drawers
M-30	530	546	566	280	346	306	30	145	1	0
M-50	700	546	566	450	346	306	48	190	1	1
M-90	1025	546	590	775	346	330	89	263	1	2
M-130	1025	702	590	775	502	330	128	330	1	2

SPECIFICATIONS FOR **OPTIONAL FITTINGS** ARE AVAILABLE ON PAGE 45

External heights and depths include plinth and handle projection. Internal heights and widths are also equal to the clear opening measurements.



MODEL SHOWN: DATAPLUS M-110

# DATAPLUS

## FIRE-RESISTANT DATA MEDIA PROTECTION



### KEY FEATURES

- Easy slam action emergency closing in event of a fire.
- Generous capacity.
- High-quality media protection.
- Two-hour data media protection label. Tested to the highest international standards, UL 72 and EN 1047-1. DataPlus is certified as Class 125 2hrs with drop test by UL. EN Norm is certified by ECB•S in class S 120 DIS for fire resistance.
- Burglary protection in accordance with European norm EN 14450 and certified by ECB•S in security class S2.
- Easy to transport and install.
- Low weight ratio due to new advanced fire protection barrier material.
- Ability to customise by using internal fittings to optimise your storage capacity.
- Ability to base fix to the floor for effective prevention of physical removal.
- Removable front plate allows useage of a pallet loader for more efficient installation, reducing costs to the customer.
- The cabinet is fitted with a key lock as standard. However, you may require the monitoring of access to your sensitive data and therefore we have a series of electronic locks ranging from basic locking to more sophisticated audit trails.
- The cabinet is an attractive light grey which fits in well in most office interiors.

### PRODUCT SPECIFICATIONS

Model	External Height (mm)	External Width (mm)	External Depth** (mm)	Internal Height (mm)	Internal Width (mm)	Internal Depth (mm)	Capacity (litres)	Net Weight* (kg)
M-110	911	746	780	565	490	400	111	315
M-165	1191	746	780	845	490	400	167	390
M-220	1471	746	780	1125	490	400	221	490
M-315	1941	746	780	1595	490	400	313	640
M-555	1941	1036	830	1570	780	450	556	860

SPECIFICATIONS FOR **OPTIONAL FITTINGS** ARE AVAILABLE ON PAGE 45

\*Weight refers to an empty cabinet. \*\*Gross measurement inc. 60mm for handle which can be removed for installation.



# AIR HOTEL

## BURGLARY PROTECTION FOR YOUR VALUABLES

### KEY FEATURES

- Compact safe for hotel rooms, student accommodation or other locations with frequent occupancy turnover.
- Steel door and body with dual, plated steel moving boltwork.
- User-friendly electronic lock.
- Authorised control and access via electronic lock or hand-held programming unit.

### PRODUCT SPECIFICATIONS

Model	External Height (mm)	External Width (mm)	External Depth* (mm)	Internal Height (mm)	Internal Width (mm)	Internal Depth (mm)	Capacity (litres)	Net Weight (kg)
M-25	200	430	350	190	420	300	24	12

\*Lock projection (10mm) not included.



MODEL SHOWN: AIR M-10



# AIR

## BURGLARY PROTECTION FOR YOUR VALUABLES

### KEY FEATURES

- Compact safe for the home, hotel room or office.
- Three models available: 9-, 16- and 24-litres capacities. The largest is designed to accommodate most laptop computers.
- Choice of locking options: available with a double-bitted key lock or an electronic lock with a programmable code.
- Emergency key override facility for the electronic lock should battery power ever fail.
- Patented “anti-bump” technology which affords the electronic lock protection against impact attacks.
- Tamper-evident keypad.
- Ready for base and for rear fixing, supplied with four expansion anchors.
- Inner base carpet.
- Key hooks included on all electronic models.

### PRODUCT SPECIFICATIONS

Model	External Height (mm)	External Width (mm)	External Depth* (mm)	Internal Height (mm)	Internal Width (mm)	Internal Depth (mm)	Capacity (litres)	Net Weight (kg)	No. of Shelves
M-10	200	310	200	190	300	150	9	6	0
M-15	250	350	250	240	340	200	16	9	1
M-25	200	430	350	190	420	300	24	11	0

\* In electronic models, add 20mm to allow for keypad projection.



MODEL SHOWN: ALPHAPLUS M-65



# ALPHAPLUS

## BURGLARY-RESISTANT PROTECTION

### KEY FEATURES

- Double-skinned safe for securing cash, jewellery and valuables around the home or at the office.
- Filled with a fire-retardant mineral wool.
- Can be easily installed in the home without specialised tools.
- Four models available ranging from just 3- to 64-litre capacity.
- Choice of locking options: available with a double-bitted key lock or a touch-screen electronic lock with programmable code.
- Audible anti-tamper alarm installed on all electronic locking models.
- Internal LED lighting on all electronic locking models.
- Electronic models all feature motorised open/closing.
- External emergency power connection should battery power fail.
- Emergency key override facility in the unlikely event of total electronic failure.
- Tamper-evident keypad.
- Ready for base and or rear fixing, supplied with four expansion anchors.
- Inner base carpet.

### PRODUCT SPECIFICATIONS

Model	External Height (mm)	External Width (mm)	External Depth* (mm)	Internal Height (mm)	Internal Width (mm)	Internal Depth (mm)	Capacity (litres)	Net Weight (kg)	No. of Shelves
M-05	180	310	205	110	240	115	3	12	1
M-15	270	350	345	200	280	255	14	22	1
M-30	320	440	395	250	370	305	28	32	1
M-65	610	460	395	540	390	305	64	53	1

Dimensions exclude handle and hinge projections. \* In electronic models, add 25mm to allow for keypad projection.



MODEL SHOWN: HOMESTAR M-15

# HOMESTAR

## BURGLARY-RESISTANT PROTECTION



### KEY FEATURES

- Suitable for the storage of valuables such as jewellery, cameras and other valuable items.
- Certified by Sold Secure to Domestic Safes Silver Level.
- Electronic lock with external emergency power connection.
- LED internal light.
- Base or rear fixing available.
- 6mm steel door and 3mm steel body.
- Three sizes available.
- One removable shelf as standard.
- Flock lining on shelf.
- Anti-tamper alarm.

### PRODUCT SPECIFICATIONS

Model	External Height (mm)	External Width (mm)	External Depth* (mm)	Internal Height (mm)	Internal Width** (mm)	Internal Depth (mm)	Capacity (litres)	Net Weight (kg)	No. of Shelves
M-15	250	350	250	244	344	200	17	17	1
M-30***	200	450	400	194	444	350	30	24	1
M-55	400	400	400	394	394	350	54	32	1

\*Projection of electronic lock (15mm) not included \*\*Width excluding shelf supports. Shelf supports reduce the internal width by 30mm \*\*\*For Laptop



MODEL SHOWN: HOMESAFE S2 30P M-50

# HOMESAFE S2 30P

## BURGLARY & FIRE-RESISTANT PROTECTION



### KEY FEATURES

- Combined fire and burglary protection in one product.
- EN 14450 certified by ECB+S to level S2 burglary protection.
- EN 15659 certified by ECB+S for 30-minutes' fire protection for documents.
- Choice of 6 models: from 11- to 91-litre capacity.
- Choice of locking options in all models: EN 1300 certified double-bitted key lock or EN 1300 certified electronic lock.
- Dual base fixing holes, supplied with two concrete anchor bolts.
- Ideal solution for protecting cash and valuable items, as well as passports, title deeds and other important documents in the home and office.
- The cabinet's door is secured using the new revolutionary "V" bolt system. The design of the locking bolts helps maintain door integrity both when under physical attack and during a fire.
- The secure cabinet is prepared & anchoring kit is supplied to allow the HomeSafe S2 30P range to be securely base- or rear-fixed to resist unauthorised removal once installed.

### PRODUCT SPECIFICATIONS

Model	External Height (mm)	External Width (mm)	External Depth (mm)	Internal Height (mm)	Internal Width (mm)	Internal Depth (mm)	Capacity (litres)	Net Weight (kg)	No. of Shelves
M-10	300	360	300	210	270	191	11	24	1
M-20	300	445	390	210	355	281	21	32	1
M-35	450	445	390	360	355	281	36	42	1
M-50	600	445	390	510	355	281	51	53	1
M-70	800	445	390	710	355	281	71	65	2
M-90	1000	445	390	910	355	281	91	78	2

Hinges project 20mm beyond the depth given above. In standard electronic models, the overall projection increases to 30mm.





# RHINO MK II

## BURGLARY & FIRE-RESISTANT PROTECTION



### KEY FEATURES

- Body barrier thickness of 65mm; constructed from steel, welded throughout and filled with specially formulated Chubb safes barrier material.
- A solid composite 35mm thick door is combined with additional protection plates for crucial locking areas.
- Solid steel moving bolts with a 28.5mm diameter affix the door to the body, while fixed “anti-heeling” bolts on both front and rear edges protect the door from prying attack.
- A Polyurethane base paint finish is used to coat the body and door. The paint is both scratch resistant and durable.
- Tested in accordance with EN 14450 Level S2, certified by ECB•S.
- Rhino Mk II has been tested in accordance with EN 15659, and is certified to level LFS 60 P by ECB•S giving 1 hour fire protection.

### PRODUCT SPECIFICATIONS

Model	External Height (mm)	External Width (mm)	External Depth* (mm)	Internal Height (mm)	Internal Width (mm)	Internal Depth (mm)	Volume (litres)	Net Weight** (kg)
M-30	400	500	502	270	370	325	32	158
M-55	600	500	502	470	370	325	57	213
M-75	750	500	502	620	370	325	75	255
M-130	750	630	602	620	500	425	132	341
M-180	980	630	602	850	500	425	181	421

SPECIFICATIONS FOR **OPTIONAL FITTINGS** ARE AVAILABLE ON PAGE 45

\* Handle projection is 56mm. \*\* In line with certification, weights can vary by +/- 5%



MODEL SHOWN: MINI BANKER MK II, SIZE 4

# MINI BANKER MK II

## BURGLARY & FIRE-RESISTANT PROTECTION



### KEY FEATURES

- Body barrier thickness of 65mm; constructed from steel, welded throughout and filled with specially formulated Chubb Safes barrier material.
- A solid composite 35mm thick door is combined with additional protection plates for crucial locking areas.
- Solid steel moving bolts with a 28.5mm diameter affix the door to the body, while fixed “anti-heeling” bolts on both front and rear edges protect the door from prying attack.
- Glass relocker to ensure bolts to remain firmly in place should an attack on the lock occur (featured on model 2 and above).
- A Polyurethane base paint finish is used to coat the body and door. The paint is both scratch resistant and durable
- Tested in accordance with EN 14450 Level S2, certified by ECB•S.
- Fire Resistance tested in accordance to the Japanese Industrial Standard JIS S 1037 with fire resistance for up to 60 minutes.

### PRODUCT SPECIFICATIONS

Model	External Height (mm)	External Width (mm)	External Depth* (mm)	Internal Height (mm)	Internal Width (mm)	Internal Depth (mm)	Capacity (litres)	Net Weight** (kg)	No. of Shelves	No. of Drawers
1	410	360	386	280	230	205	13	104	1	0
2	488	435	461	358	305	280	31	157	1	1
3	590	435	461	460	305	280	39	180	1	1
4	590	550	576	460	420	395	76	257	1	1
5	717	550	576	587	420	395	97	293	1	1
6	894	550	576	764	420	395	127	347	1	1
7	1047	640	666	917	510	485	227	481	1	1

\* Handle projection is 56mm. \*\* In line with certification, weights can vary by +/- 5%



MODEL SHOWN: ARCHIVE CABINET M-450



# ARCHIVE CABINET

## FIRE-RESISTANT DOCUMENT PROTECTION

### KEY FEATURES

- Archive Cabinet has a steel, double-wall construction insulated with special fire-resistant barrier material.
- Available in four models with a generous storage capacity ranging from 325 to 880 litres.
- Secured by three-way boltwork, locking at the top, bottom and side of the door.
- EN 1300 Class A certified key lock fitted as standard.
- A wide range of flexible fittings available to suit all types of storage requirements, including removable shelves, extendable file frames for A4 or Folio files and a lockable compartment.
- Anchor points in the base allow the cabinet to be fixed to the floor.
- All cabinets have a light-grey, powder-coated finish, suitable for any office space.

### PRODUCT SPECIFICATIONS

Model	External Height (mm)	External Width (mm)	External Depth* (mm)	Internal Height (mm)	Internal Width (mm)	Internal Depth (mm)	Capacity (litres)	Net Weight (kg)	No. Of Shelves
M-325	1500	700	550	1290	594	430	325	95	3
M-450	1950	700	550	1780	594	430	450	120	4
M-640	1950	950	550	1780	844	430	640	150	4
M-880	1950	1260	550	1780	1154	430	880	200	4

SPECIFICATIONS FOR **OPTIONAL FITTINGS** ARE AVAILABLE ON PAGE 45

\*Projection of handle (50mm) not included.



MODEL SHOWN: FORCEGUARD M-920

# FORCEGUARD

## BURGLARY-RESISTANT PROTECTION



### KEY FEATURES

- Available in four models, from 236 to 920 litres, with double doors on models M-535–M-920.
- Single-wall body and door made from 3mm solid steel. Doors have a total thickness of 52mm and open to 180°.
- Secured by three-way boltwork, locking at the top, bottom and side of the door. All bolts are chrome-plated and 20mm in diameter.
- Doors also fitted with relocking device for additional protection against attempted forced entry.
- Key lock (Class A), combination lock (class B) or electronic lock (class B) fitted as standard. All locks approved in accordance with the European EN 1300 standard.
- All models equipped with removable shelves designed to accommodate hanging files.
- Anchor points in the base allow the cabinet to be fixed to the floor.
- All cabinets have a light-grey, powder-coated finish, suitable for any office space (RAL 7035).

### PRODUCT SPECIFICATIONS

Model	External Height (mm)	External Width (mm)	External Depth* (mm)	Internal Height (mm)	Internal Width (mm)	Internal Depth (mm)	Capacity (litres)	Net Weight (kg)	No. of Doors	No. of Shelves	Rows of Hanging Files	Capacity Hanging Files
M-235	1000	600	450	975	575	400	236	95	1	2	3	1.74
M-535	1500	900	450	1475	875	400	534	140	2	3	4	3.52
M-680	1900	900	450	1875	875	400	680	225	2	4	6	5.28
M-920	1900	1220	450	1875	1195	400	920	275	2	4	6	7.20

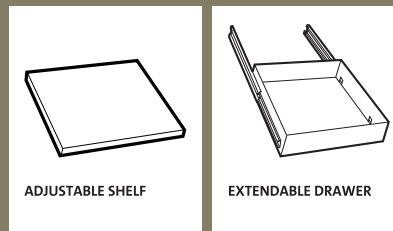
\*Projection of handle (50mm) not included

# OPTIONAL FITTINGS

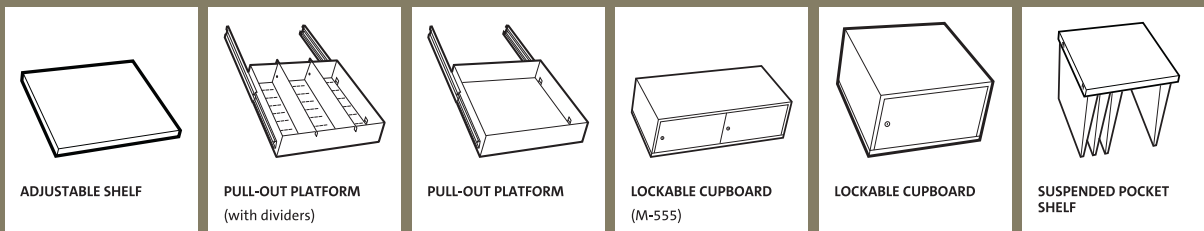
## ARCHIVE CABINET



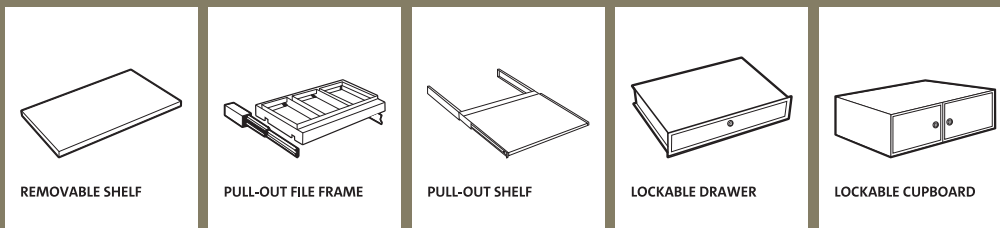
## DATAGUARD NT



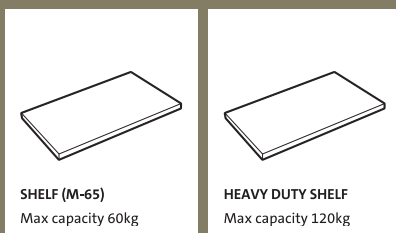
## DATAPLUS



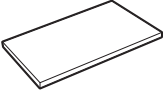
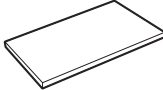
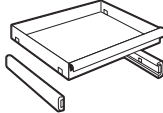

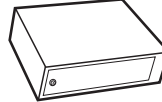
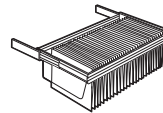
## DPC



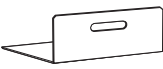
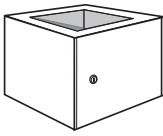
## DUOFORCE / DUOFORCE T2 / TRIFORCE T2



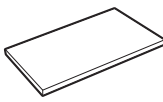
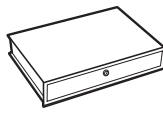
## DUOGUARD GI-GII

 <p><b>SHELF</b> Max capacity 60kg</p>	 <p><b>HEAVY DUTY SHELF</b> Max capacity 120kg</p>	 <p><b>EXTENDABLE SHELF</b></p>	 <p><b>EXTENDABLE DRAWER</b></p>	 <p><b>LOCKABLE COMPARTMENT</b></p>	 <p><b>SUSPENSION FILE FRAME</b></p>
---	---	--	---	--	---

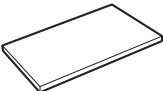
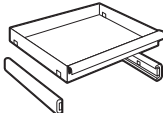
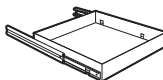

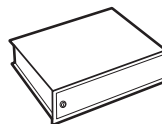
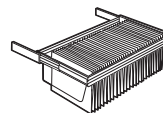
## EUROPA DEPOSIT

 <p><b>RETAINING SHELF</b></p>	 <p><b>RETAINING CUPBOARD</b></p>
---	--

## RHINO MK II

 <p><b>REMOVABLE SHELF</b></p>	 <p><b>EXTENDABLE DRAWER</b></p>
---	--

## PROGUARD

 <p><b>REMOVABLE SHELF*</b> M-65: 20x375x350 M-120—M-305: 20x475x376 M-365: 20x710x542 M-370: 20x550x400</p>	 <p><b>EXTENDABLE SHELF</b> M-120—M-305: 37x455x376 M-370: 37x530x400 M-465: 20x550x430</p>	 <p><b>EXTENSIBLE TRAY</b> M-120—M-305: 37x460x361 M-370: 37x535x385 M-465: 37x535x415</p>	 <p><b>LOCKABLE DRAWER</b> M-120—M-305: 100x460x336 M-370: 100x535x360 M-465: 100x535x390</p>	 <p><b>LOCKABLE COMPARTMENT</b> M-120—M-305: 335x467x358 M-370: 335x562x382 M-465: 335x562x412</p>	 <p><b>EXTENSIBLE FILE FRAME</b> M-120—M-305: 37x460x376 M-370—M-465: 37x535x376</p>
---	--	---	--	---	---

[www.chubbsafes.com](http://www.chubbsafes.com)

Authorised dealer

